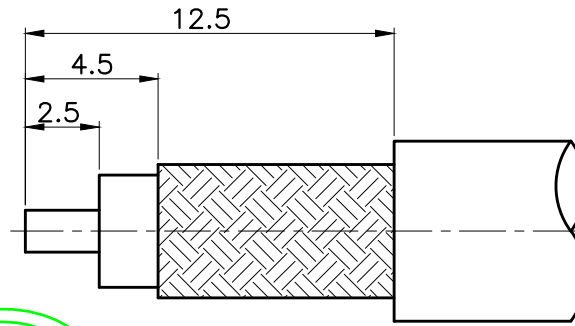
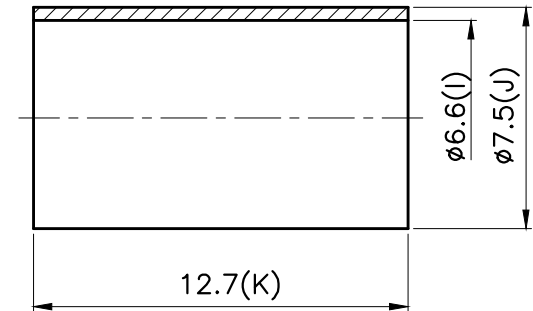
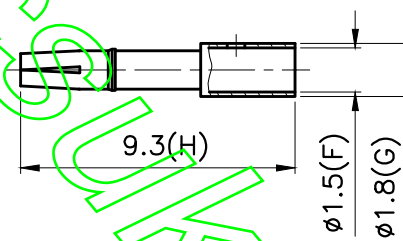
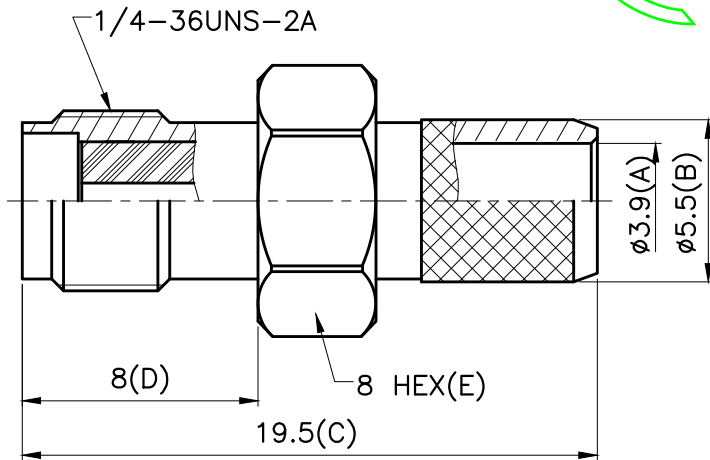


| REVISIONS |                  |
|-----------|------------------|
| ISS       | DESCRIPTION\DATE |
|           |                  |



RECOMMENDED  
CABLE STRIPPING DIM'S



1. CRIMPED FERRULE  
HEX CRIMP SIZE  $\approx .256"$
2. CONTACT PIN TO SOLDER

CONNECTORS CABLES  
**CCS**  
SPECIALISTS LTD.

TITLE: SMA FEMALE CRIMP  
(FOR LMR240)

PART NO: SMAJCR240

DR. NO:

055

DATE: 02/11/14"

SHEET: .

UNIT: mm

SCALE: 4/1

APRD:

CHKD:

DR:

UNLESS OTHERWISE  
SPECIFIED TOLERANCES  
0.5-6 =  $\pm 0.2$   
>6-30 =  $\pm 0.4$   
>30-120 =  $\pm 0.6$   
>120-315 =  $\pm 1$   
>315-1000 =  $\pm 1.6$   
ANGLES =  $\pm 5^\circ$

| NO. | DESCRIPTION | MATERIAL        | FINISH |
|-----|-------------|-----------------|--------|
|     | INSULATOR   | TEFLON          | WHITE  |
|     | BODY        | BRASS           | GOLD   |
|     | PIN         | PHOSPHOR BRONZE | GOLD   |
|     | FERRULE     | BRASS           | GOLD   |
|     |             |                 |        |